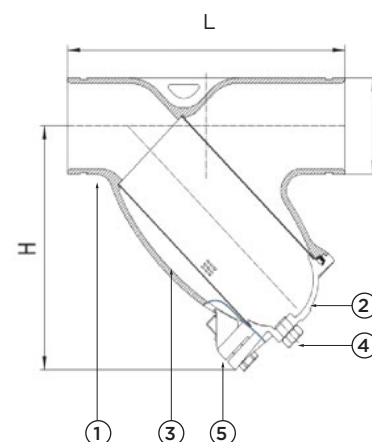


Y-PATTERN STRAINER (GROOVED END) 6102



MATERIAL

NO.	PART NAME	MATERIAL	SPECIFICATION
1	Body	Ductile Iron	GGG45 (EN-JS1040)
2	Cover	Ductile Iron	GGG45 (EN-JS1040)
3	Screen	Stainless Steel 304	BS EN 10088-3 1.4301
4	Blow Off Plug	Bronze	BS EN 1982 CC491K
5	Gasket	EPDM Rubber	



SPECIFICATION

- Filter foreign matter (contaminants / solids) attends in every pipeline and build up to cause blockage
- Stainless Steel perforated screen
- Hydrostatically tested to UL 321
- Grooved to AWWA C606
- Applicable for HVAC System, Fire Protection System, Plumbing / Sanitary System

PRESSURE/TEMPERATURE RATING

Working Pressure	362 psi (25 bar)
Testing Pressure	Shell: 724 psi
Working Temperature	0 - 80°C
Typical Application	Water

DIMENSION

NOMINAL PIPE SIZE		L	H
MM	INS	MM	MM
50	2	230	154
65	2 1/2	290	201
80	3	310	210
100	4	350	269
125	5	400	320
150	6	480	357
200	8	550	442