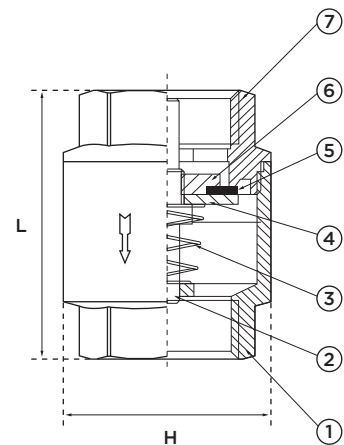


BRASS SPRING CHECK VALVE MBCV01



MATERIAL

NO.	PART NAME	MATERIAL	SPECIFICATION
1	Body	Brass	BS EN 12165 CW617N
2	Stem	Brass	BS EN 12165 CW617N
3	Spring	Stainless Steel	
4	Disc	Brass	BS EN 12165 CW617N
5	Gasket	EPDM Rubber	
6	Disc	Brass	BS EN 12165 CW617N
7	Bonnet	Brass	BS EN 12165 CW617N



SPECIFICATION

- Vertical lift, spring loaded
- Metal disc, EPDM seat
- Hydrostatically tested to BS EN 12266-1:2012
- Manufactured in accordance with BS 5154:1991
- Threaded to BS EN 10226-2 (BSP)
- Applicable for HVAC System, Fire Protection System, Plumbing / Sanitary System

PRESSURE/TEMPERATURE RATING

Working Pressure: 16 bar
 Testing Pressure: Shell: 24 bar, Seat: 17.6 bar
 Working Temperature: Max 90°C
 Typical Application: Water

DIMENSION

NOMINAL PIPE SIZE		L	H
MM	INS	MM	MM
15	1/2	50.5	33
20	3/4	57.5	39
25	1	59.5	48
32	1 1/4	67.5	60
40	1 1/2	73	68.5
50	2	87.5	81